

HIGH PRESSURE FILTERS

INSTALLATION,
SERVICE AND
MAINTENANCE
MANUAL
AND SAFETY
INSTRUCTIONS

FHF325



EN

PASSION  PERFORM



TABLE OF CONTENTS

	Page
1. Description	2
2. General warnings	2
3. Tools	2
4. Handling	3
5. Dimensional drawings	4
6. Installation	7
7. Commissioning	7
8. Standard maintenance	8
8.1 Filter element replacement	8
9. Special maintenance	10
9.1 Seals and clogging indicator replacement	10
10. Instructions for use in explosive atmospheres	13
11. Regulations	13
12. Spare parts list	14
13. Ordering code	16
13.1 Filter / Housing / Bowl	16
13.2 Filter element	17
14. Troubleshooting	18
14.1 Misuse of the product	18
14.2 Clogging indicator alarm	18
14.3 Leaks of working fluid	18



Please scan the QR codes to get updated electronic version of the related document.



Scan or click me!

1. Description

The hydraulic filters are components used to remove the contaminants from the hydraulic fluids used in the hydraulic systems, maximum pressure up to 350 bar, flow rate up to 550 l/min.

2. General warnings

- Before the installation, use or maintenance of the filter carefully read the manual
- The system and the filter are pressurised! Be sure the system is at ambient pressure before starting any activity
- The fluid temperature inside the system and the filter can cause injuries to personnel or create a hazardous environment
- Any activity must be carried out by trained and certified specialists, they must use the correct protective equipment
- Any activity must be carried out using the correct tool
- Any activity must be carried out in accordance with the laws in force in the country where the system is in operation
- The data shown onto the nameplate must be complete and legible during the whole filter working life
- Connect the filter with an anti-loosening system and regularly check the condition of the connection
- The declared performances and the safety of the product are only guaranteed when MP Filtri original spare parts are used
- Warranty is only effective if MP Filtri original spare parts are used.

3. Tools

FHF325	TOOLS	TIGHTENING TORQUE
Differential indicator	Wrench A/F 27/30/32	60 N·m
Breather plug 9/16-18 (SAE 6)	Allen key A/F 6	80 N·m
Drain plug 9/16-18 (SAE 6)	Allen key A/F 6	80 N·m
Bowl cover	Socket wrench A/F 36	90 N·m
Bowl	Strap wrench	90 N·m
Connection G 1 1/2	Wrench A/F 55	Max 290 N·m
Connection 1 1/2-11.5 NPT	Wrench A/F 55	Max 220 N·m
Connection 1 7/8-12 (SAE 24)	Wrench A/F 55	Max 325 N·m
Flange ISO 6162-2 P38M / Screw M16	Allen key A/F 24	295 N·m +10%/-0
Flange ISO 6162-2 P38 / Screw 5/8-11 UNC	Allen key A/F 15/16"	295 N·m +10%/-0
Fastening screws M14	Socket wrench A/F 21	218 N·m
Fastening screws 9/16-12 UNC	Socket wrench A/F 7/16"	180 N·m

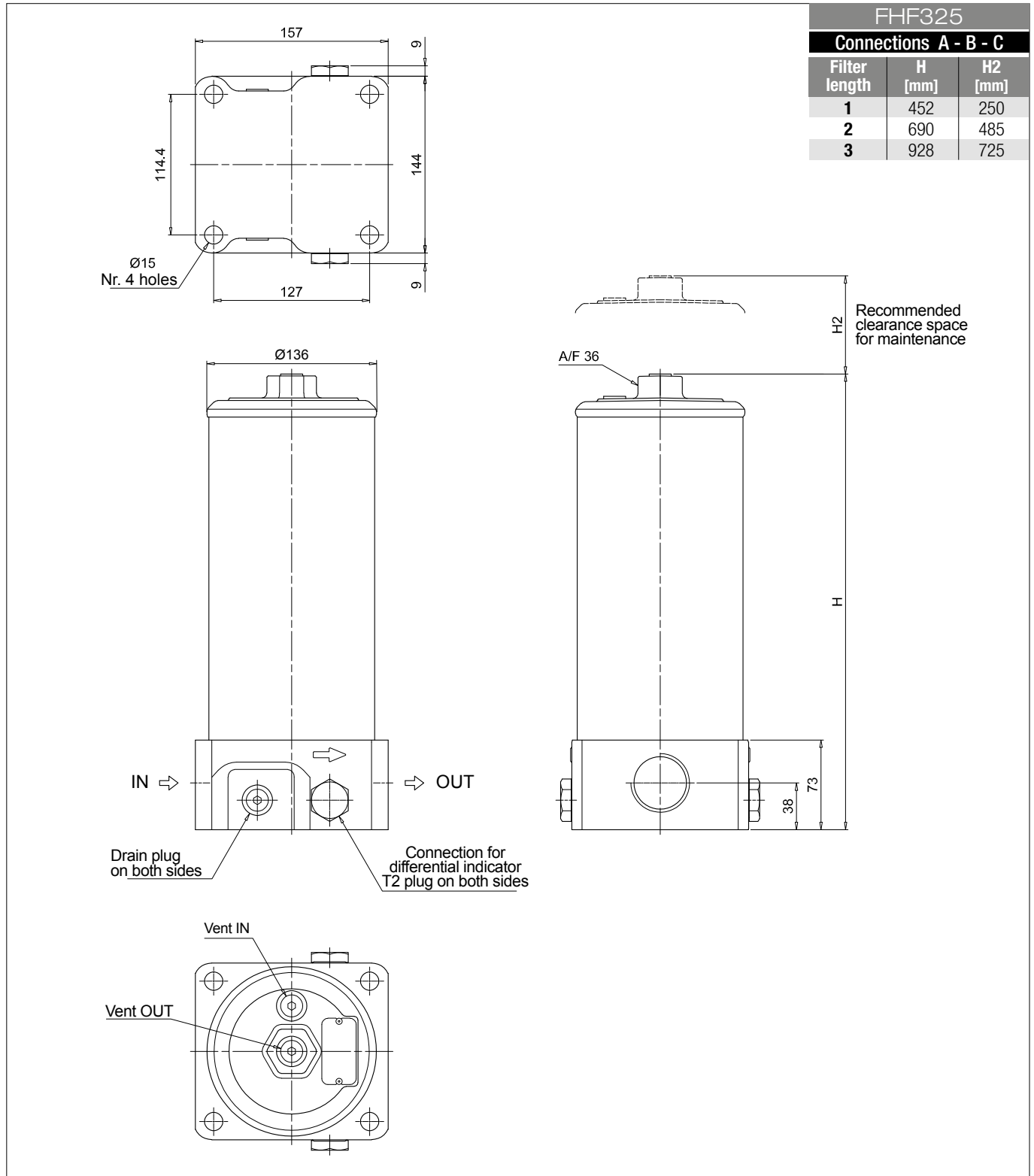
4. Handling

- The unit is shipped in a cardboard box with dimensions depending on the order
- The handling must be carried out in accordance with the laws in force in the country of use of the product
- Handle the product with care, avoid impacts
- Store in a dry and frost-free room
- The unit should be stored in a suitable location away from the production area when not in use. The unit should be stored with the caps provided on the ports and the bowl's protective net, if present.
This location should not impede any other production or personnel.

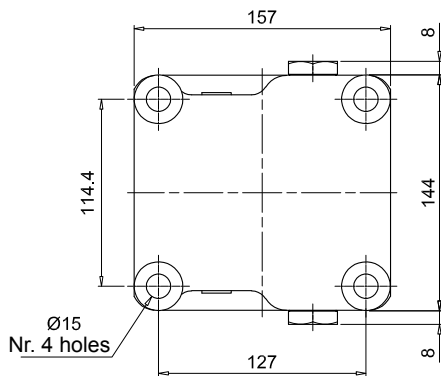
Please refer to the following Weight table:

SERIES AND SIZE	WEIGHTS [kg]			
	Length	1	2	3
FHF325		23.90	32.68	41.47

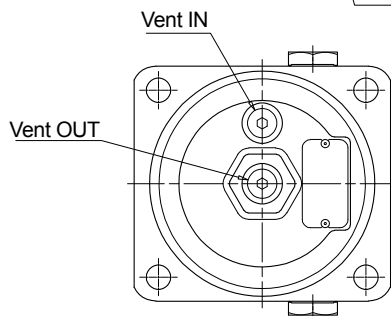
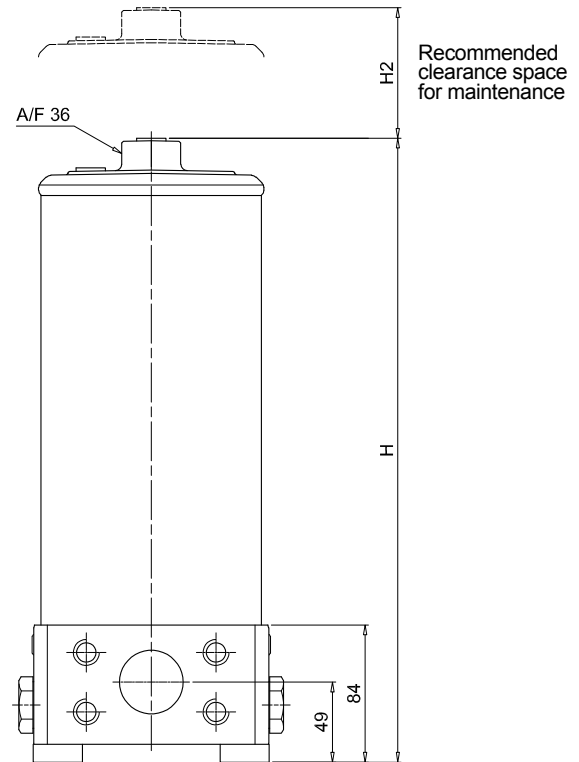
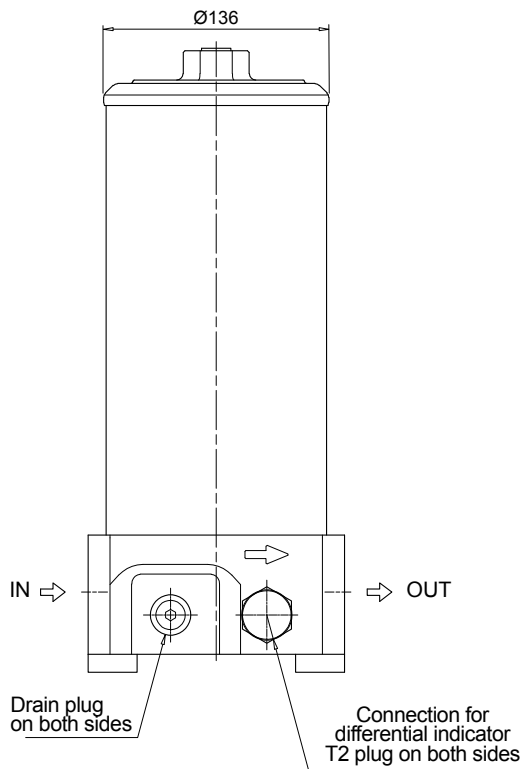
5. Dimensional drawings

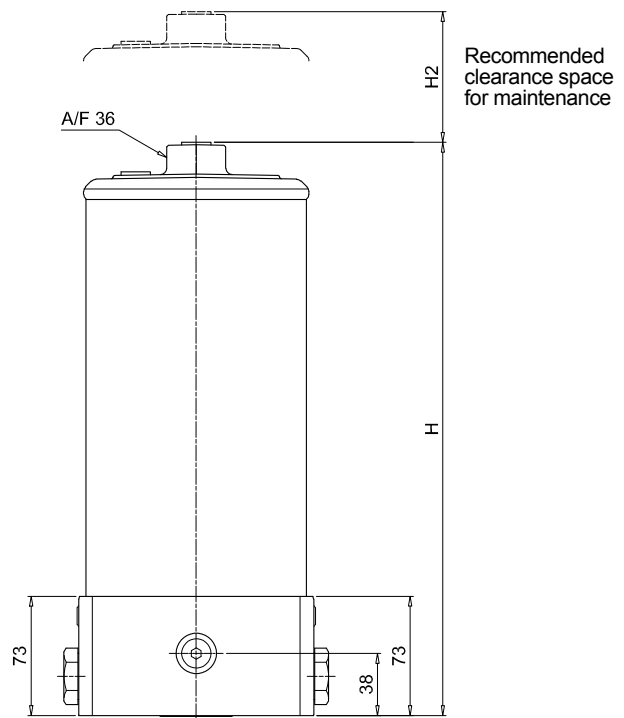
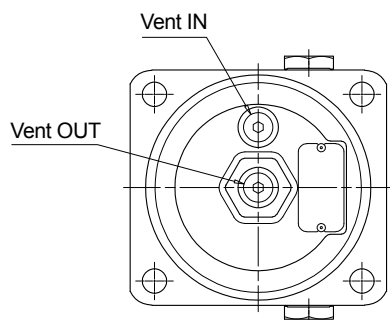
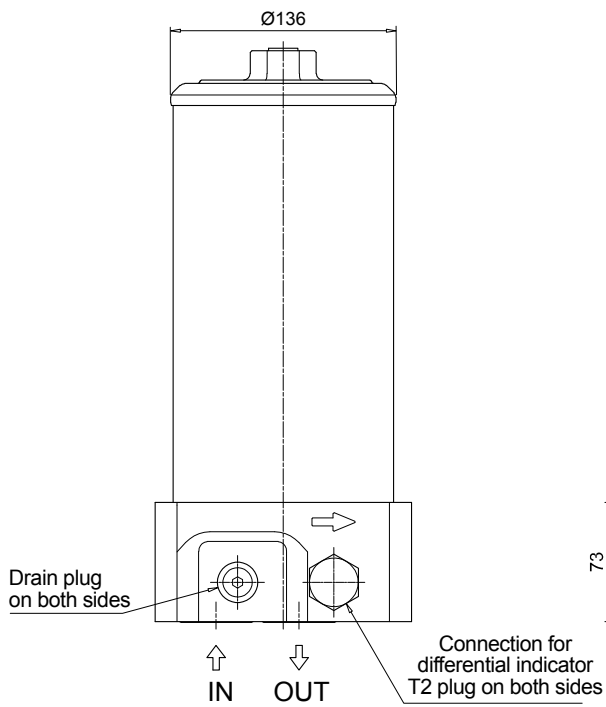
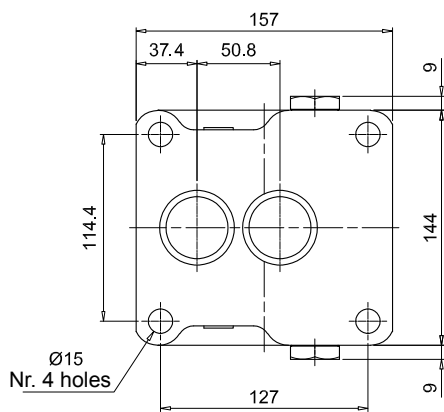


FHF325



FHF325		
Connections G - H		
Filter length	H [mm]	H2 [mm]
1	463	250
2	701	485
3	939	725





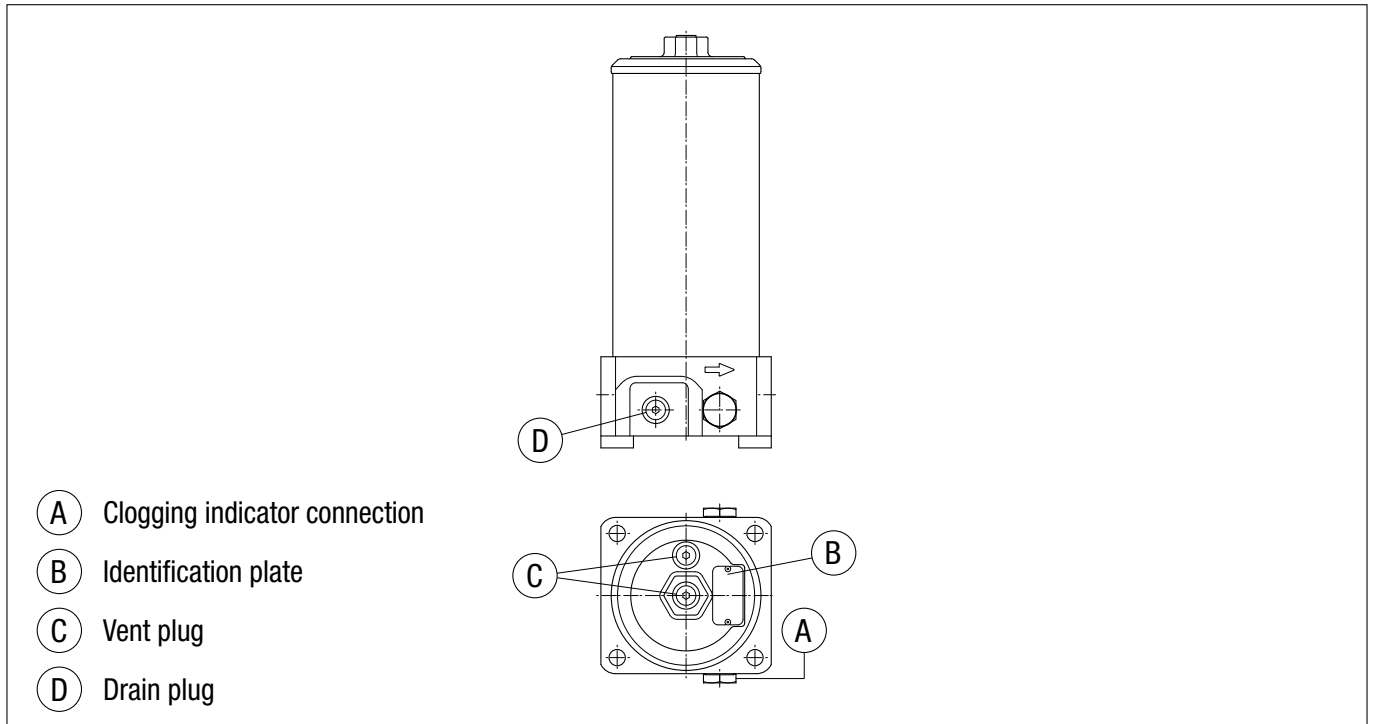
Recommended clearance space for maintenance

FHF325

Connections M - N

Filter length	H [mm]	H2 [mm]
1	452	250
2	690	485
3	928	725

6. Installation



- Check that the system working pressure does not exceed the maximum working pressure of the filter. The maximum working pressure of the filter is shown on the identification plate
- Check that the filter is compatible with the fluid used in the system
- Remove the plastic plugs from the inlet, the outlet and the indicator connection
- Check that the correct filter elements are fitted into the filter
- Check the flow direction (the flow is indicated by arrows on both sides of the head)
- Install the clogging indicator, if required.
In the case of using an electrical clogging indicator, follow the electrical diagram for correct installation
- Fasten the filter to the bracket with the correct bolts. Be sure to fit the filter without any tension stress
- Check that there is appropriate clearance for maintenance and the filter elements replacement.
Correct operation is only guaranteed if the filter is installed in a vertical orientation with the filter housing at the top
- Check for a good view of the clogging indicator
- Connect the filter to the hydraulic system, using the appropriate hydraulic fittings.

7. Commissioning

- Switch on the hydraulic system
- Check the filter is free of leaks
- Check the filter for leaks at the maximum working conditions (pressure, temperature ...)
- Check the filter does not cause excessive pressure drop checking that the indicator does not show the alarm signal.

8. Standard maintenance

8.1 FILTER ELEMENT REPLACEMENT

The clogging indicator monitors the conditions of the filter element. The alarm signal shown by the differential indicator during the normal working conditions (pressure, temperatures ...) means that the filter element needs to be replaced.

- Check the availability of the right spare filter element by comparing the part number shown on the element with that shown on the filter name plate or spare parts list
- For the disassembly and the assembly of the parts, please refer to the tools table in paragraph 3
- Switch off the system
- (Fig. 1) Unscrew the breather plug of the DIRTY SIDE (located on nameplate surface)
- (Fig. 2) Unscrew one of the two drain plugs after placing a vessel to collect the operating fluid
- (Fig. 3) Drain the operating fluid from the bottom of the head into the collection vessel
- (Fig. 4) Screw the drain plug in referring to the tightening torque table in paragraph 3
- The bowl tube is joined to the head with a thread which is locked, it should not be disassembled for the standard maintenance
- (Fig. 5) Unscrew the bowl cover

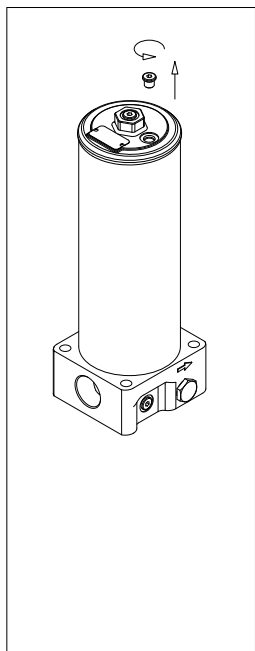


fig. 1

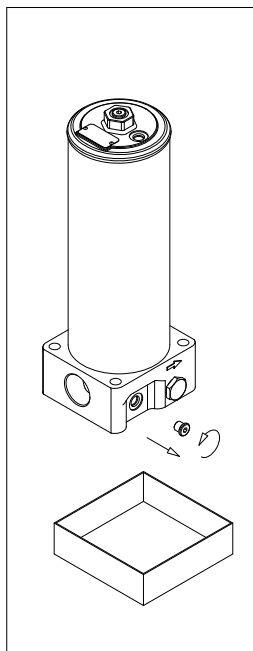


fig. 2

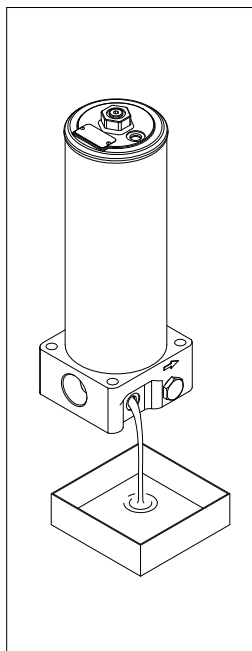


fig. 3

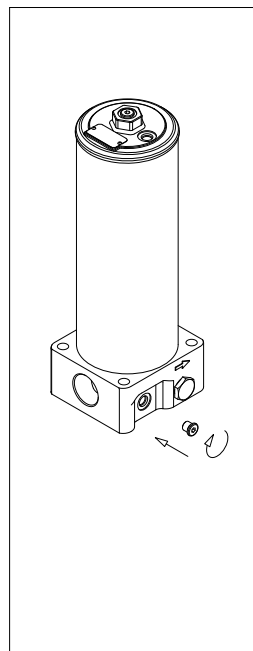


fig. 4

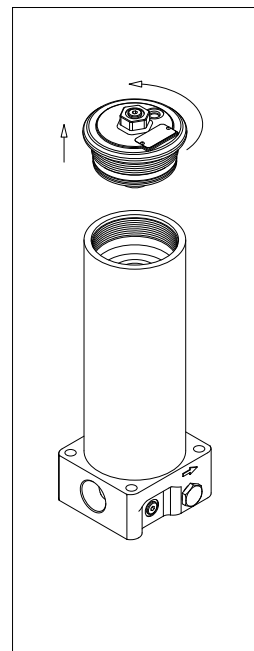


fig. 5

FHF325

- (Fig. 6) Pull the filter element out
- (Fig. 7) Drip the waste operating fluid from the filter element to the collection vessel
- Clean the two parts of the bowl. Check them for damage
- Check the condition of the bowl seals and, if necessary, replace them referring to the “Special maintenance” paragraph
- (Fig. 8) Lubricate with the operating fluid the filter element seals, then fit the filter element on the tap.
Pay attention not to damage the seal
- (Fig. 9) Lubricate the O-ring and the threads of bowl and cover, then screw the cover in referring to the tightening torque table in paragraph 3
- (Fig. 10) Unscrew the breather plug of the CLEAN SIDE (located in the centre of the hexagon)
- At low pressure condition, bleed the air from the system until the operating fluid starts oozing form the DIRTY SIDE

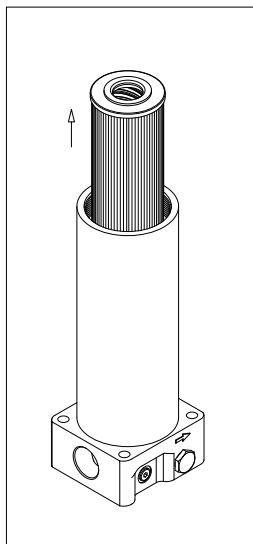


fig. 6

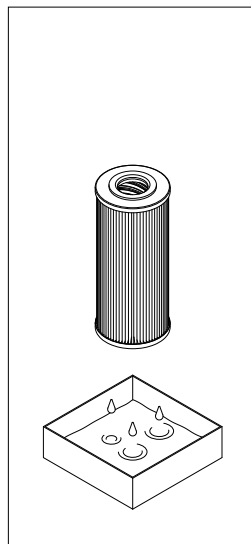


fig. 7

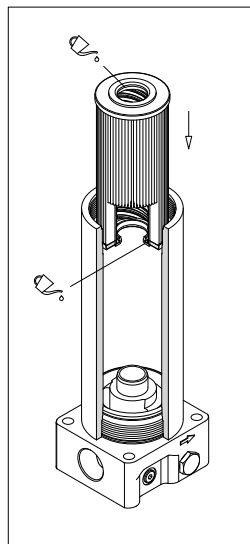


fig. 8

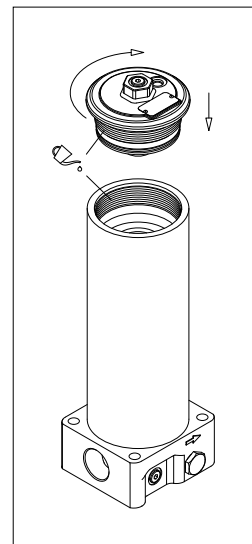


fig. 9

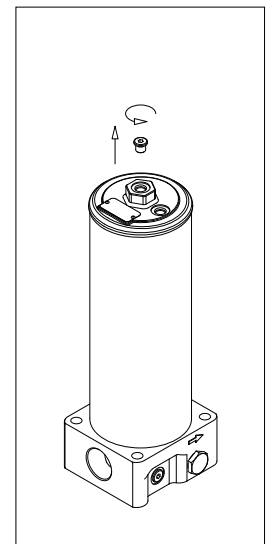


fig. 10

- (Fig. 11) Immediately screw the breather plug in
- (Fig. 12) Continue the operation until leakage from the CLEAN SIDE, then screw the breather plug in
- Switch on the system and check the filter for leaks at the maximum working conditions (pressure, temperature...)
- Dispose of the replaced parts and the collected fluid in accordance with the laws in force in the country of use of the product.

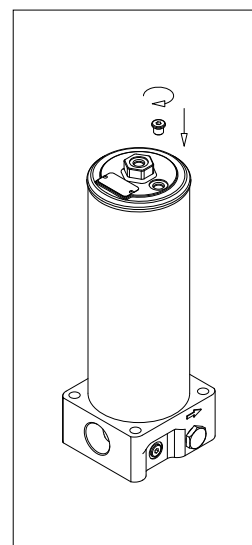


fig. 11

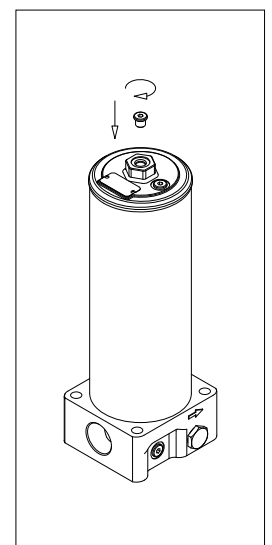


fig. 12

9. Special maintenance

9.1 SEALS AND CLOGGING INDICATOR REPLACEMENT

- Check the availability of the right spare parts by comparing the part numbers shown on them with that shown on the filter name plate or spare parts list
- For the disassembly and the assembly of the parts, please refer to the tools table in paragraph 3
- Switch off the system
- (Fig. 13) Unscrew the breather plug of the DIRTY SIDE (located on nameplate surface)
- (Fig. 14) Unscrew one of the two drain plugs after placing a vessel to collect the operating fluid
- (Fig. 15) Drain the operating fluid from the bottom of the head into the collection vessel
- (Fig. 16) Screw the drain plug in referring to the tightening torque table in paragraph 3

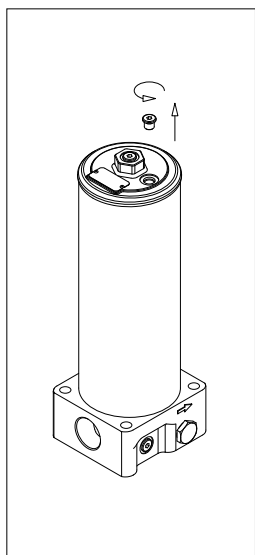


fig. 13

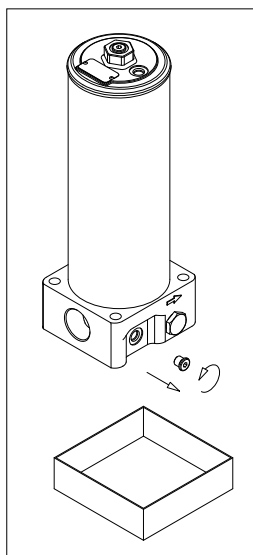


fig. 14

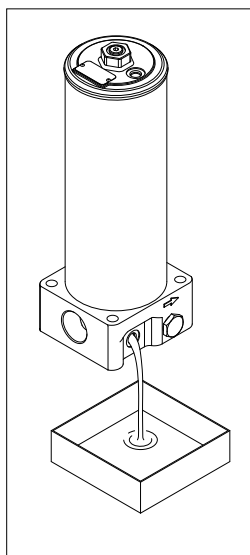


fig. 15

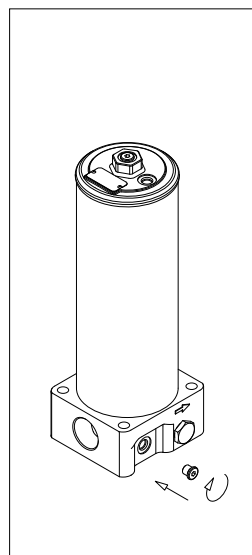


fig. 16

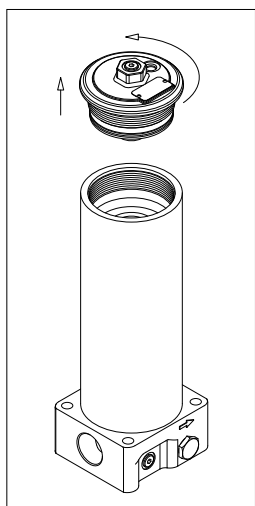


fig. 17

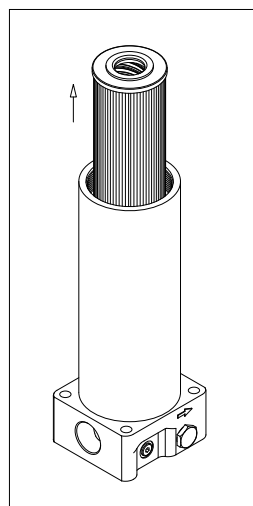


fig. 18

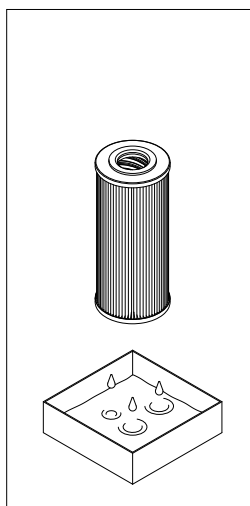


fig. 19

- (Fig. 17) Unscrew the bowl cover
- (Fig. 18) Pull the filter element out
- (Fig. 19) Drip the waste operating fluid from the filter element to the collection vessel

FHF325

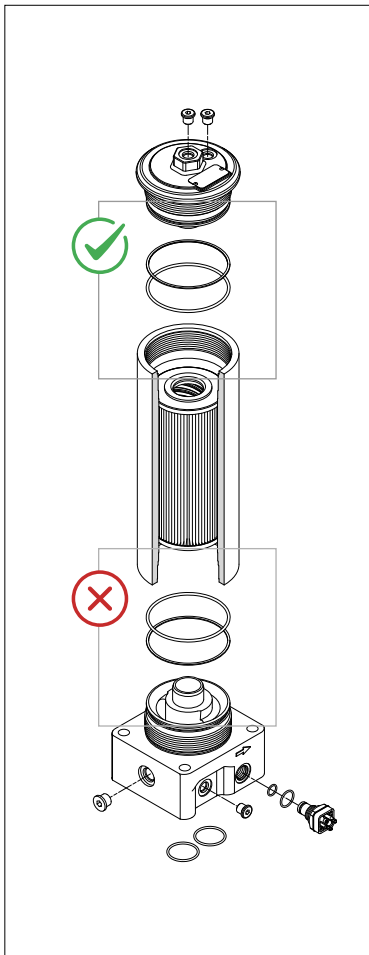


fig. 20

- (Fig. 20) Remove the cover seals, the manifold seals (if provided) and all the plugs, and prepare the spare parts referring to the list in paragraph 12
- The spare parts kit also includes the head seals, although normally these are not supposed to be replaced because the threaded connection is locked. Replacement of the filter element seals is not expected, that is only provided as a complete spare part
- Replace the O-rings of the indicator body or replace the indicator with the following instructions
- (Fig. 21) Remove the connector of the differential indicator by unfastening the central screw (only for electrical indicators)
- (Fig. 22) Unscrew the indicator body
- (Fig. 23) Lubricate with the operating fluid the thread and the O-ring of the indicator body, then screw the indicator body in referring to the tightening torque table in paragraph 3
- (Fig. 24) Insert the connector by fastening the central screw (only for electrical indicators)
- Clean the two parts of the bowl. Check them for damage
- Fit #1: the anti-extrusion ring and #2: the O-ring in the groove of the cover

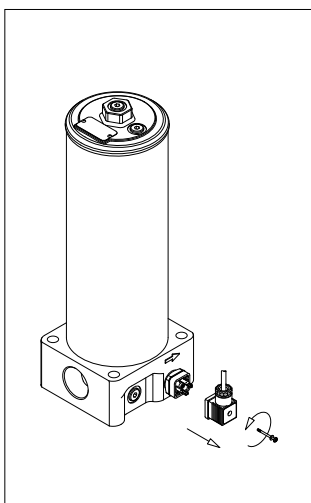


fig. 21

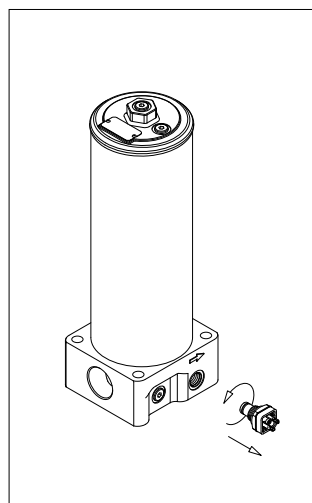


fig. 22

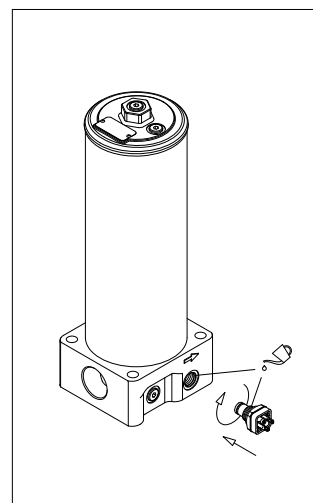


fig. 23

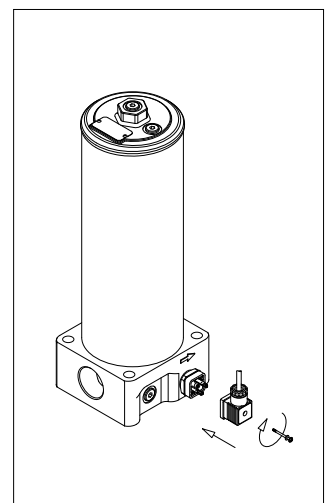


fig. 24

- (Fig. 25) Lubricate with the operating fluid the filter element seals, then fit the filter element on the tap. Pay attention not to damage the seal.
- (Fig. 26) Lubricate the O-ring and the threads of bowl and cover, then screw the cover in referring to the tightening torque table in paragraph 3
- (Fig. 27) Unscrew the breather plug of the CLEAN SIDE (located in the centre of the hexagon)
At low pressure condition, bleed the air from the system until the operating fluid starts oozing form the DIRTY SIDE
- (Fig. 28) Immediately screw the breather plug in
- (Fig. 29) Continue the operation until leakage from the CLEAN SIDE, then screw the breather plug in
- Switch on the system and check the filter for leaks at the maximum working conditions (pressure, temperature...)
- Dispose of the replaced parts and the collected fluid in accordance with the laws in force in the country of use of the product.

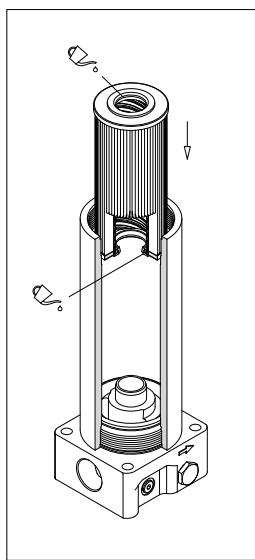


fig. 25

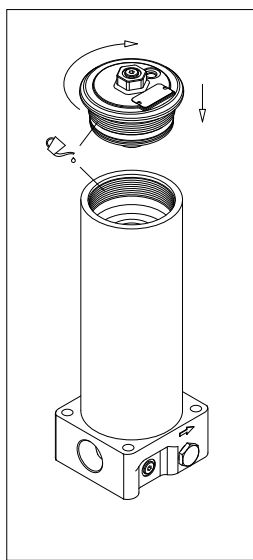


fig. 26

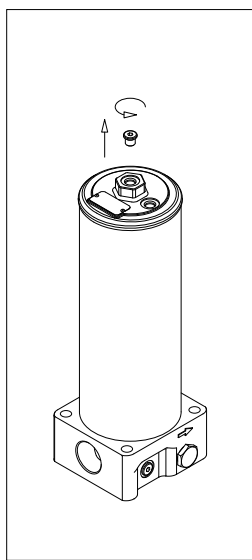


fig. 27

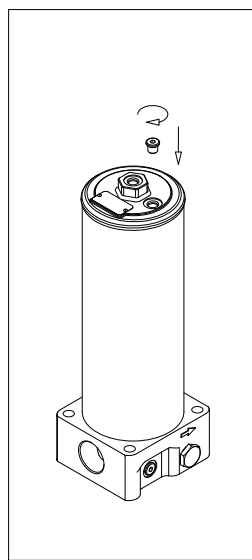


fig. 28

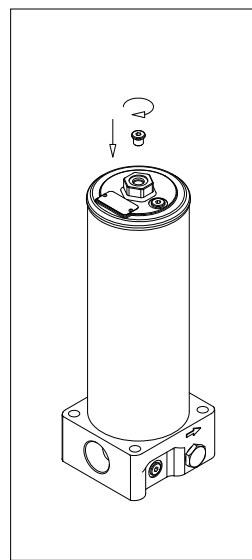


fig. 29

10. Instructions for use in explosive atmospheres

Hydraulic filters should be installed in applications in which special safety measures are required to prevent the triggering of explosive atmospheres, such as use in environments classified according to directive 1999/92/CE (ATEX) or the use of flammable fluids.

Conditions like the use of low conductivity fluids, which could cause electrostatic discharges, or installation near hot components, which could cause surfaces heating, could alter the safety of the filters.

MP FILTRI has carried out a voluntary certification of a part of the product range in compliance with directive 2014/34/EU, in order to guarantee an appropriate degree of safety in these particular conditions.

The content of the certification and the relative marking make them suitable for use in environments classified in accordance with directive 1999/92/CE (ATEX - ZONE 2).

11. Regulations

Hydraulic filters are not machines, but simple components.

Hydraulic filters are excluded from the scope of the Machinery Directive 2006/42/EC, they don't need the CE mark.

Hydraulic filters are designed to be fitted within a hydraulic system designed in accordance with the Machinery Directive 2006/42/EC.

Hydraulic filters are pressurized components. The maximum working pressure PS is over 0.5 bar, so they are subject to the Directive 2014/68/EU (PED)

FHF filters are designed and manufactured for fluids included into the Group 2 defined by the Directive 2014/68/EU.

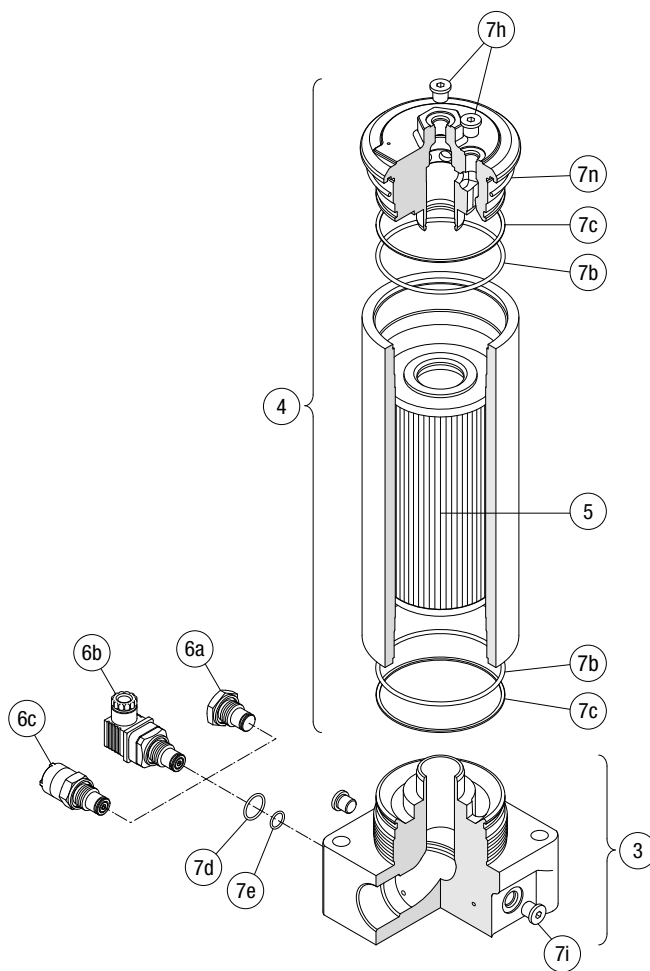
FHF filters do not need the CE marking in accordance with the Directive 2014/68/UE Article 4, Section 3.

FHF filters do not contain any substance of very high concern (SVHC) in percentage higher than 0.1% in accordance with the Regulation (EC) No 1907/2006 (REACH)

FHF filters are designed and manufactured in accordance with the Commission Delegated Directive (EU) 2015/863 (RoHS).

12. Spare parts list

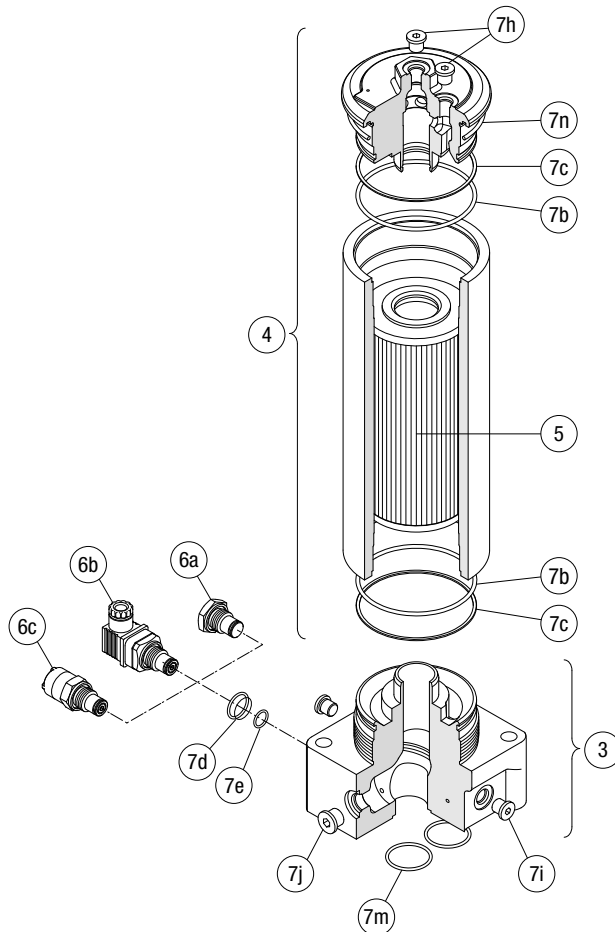
Connections A - B - C - G -H



Item	Quantity	Description	Designation / Ordering code		
1	1	Complete filter	See "Ordering Code" table		
3	1	Housing			
4	1	Bowl Assembly			
5	1	Filter element			
6	1	Clogging indicator			
7	1	Seals kit	NBR	FPM	EDPM
			02050588	02050589	02050804
7b	1	Bowl seal	O-Ring 4412 - di = 104.40 - d ₂ = 3.53		
7c	1	Bowl anti-extrusion ring	SR243		
7d	1	Indicator seal	ORM 0210-20 - di = 21.00 - d ₂ = 2.00		
7e	1	Indicator seal	O-Ring 2050 - di = 12.42 - d ₂ = 1.78		
7h	2	Breather plug	ISO 11926-1 / SAE J1926-1: 9/16-18		
7i	2	Drain plug	ISO 11926-1 / SAE J1926-1: 9/16-18		
7n	1	Cover seal	O-Ring 4475 - di = 120.20 - d ₂ = 3.53		

FHF325

Connections M - N



Item	Quantity	Description	Designation / Ordering code		
1	1	Complete filter	See "Ordering Code" table		
3	1	Housing			
4	1	Bowl Assembly			
5	1	Filter element			
6	1	Clogging indicator			
7	1	Seals kit	NBR	FPM	EDPM
			02050590	02050591	02050805
7b	1	Bowl seal	O-Ring 4412 - di = 104.40 - d ₂ = 3.53		
7c	1	Bowl anti-extrusion ring	SR243		
7d	1	Indicator seal	ORM 0210-20 - di = 21.00 - d ₂ = 2.00		
7e	1	Indicator seal	O-Ring 2050 - di = 12.42 - d ₂ = 1.78		
7h	2	Breather plug	ISO 11926-1 / SAE J1926-1: 9/16-18		
7i	2	Drain plug	ISO 11926-1 / SAE J1926-1: 9/16-18		
7j	1	Blinding plug	ISO 11926-1 / SAE J1926-1: 3/4-16		
7m	2	Manifold seal serie "M"	O-Ring 3150 - di = 37.77 - d ₂ = 2.62		
	2	Manifold seal serie "N"	O-Ring 3162 - di = 40.95 - d ₂ = 2.62		
7n	1	Cover seal	O-Ring 4475 - di = 120.20 - d ₂ = 3.53		

13. Ordering code

13.1 FILTER / HOUSING / BOWL

FILTER / HOUSING / BOWL											
Filter series and size		Filter:	FHF325	2	S	A	H	7	A10	N	P01
FHF325	Filter / housing	Housing:	FHF325		S	A	H	7			P01
HFB325	Bowl assembly	Bowl:	HFB325	2		A			A10	N	P01
Filter length											
1 2 3											
Valves											
S Without bypass											
B With bypass 6 bar											
Seals											
A NBR											
V FPM											
E EPDM											
Connections											
A G 1 1/2"											
B 1 1/2" NPT											
C SAE 24 - 1 7/8" - 12 UN											
G 1 1/2" SAE 6000 psi/M											
H 1 1/2" SAE 6000 psi/UNC											
M Manifold Ø1.38"											
N Manifold Ø1.50"											
Connection for differential indicator											
7 With two connections plugged on both sides											
Filtration rating (filter media)											
A03 Inorganic microfiber 3 µm											
A06 Inorganic microfiber 6 µm											
A10 Inorganic microfiber 10 µm											
A16 Inorganic microfiber 16 µm											
A25 Inorganic microfiber 25 µm											
M25 Wire mesh 25 µm											
Element Δp											
N 20 bar											
Execution											
P01 MP Filtri standard											
Pxx Customized											

FHF325

13.2 FILTER ELEMENT

FILTER ELEMENT	
Element series and size HF325	Example: HF325 2 A10 A N P01
Element length 1 2 3	
Filtration rating (filter media) A03 Inorganic microfiber 3 µm A06 Inorganic microfiber 6 µm A10 Inorganic microfiber 10 µm A16 Inorganic microfiber 16 µm A25 Inorganic microfiber 25 µm M25 Wire mesh 25 µm	
Seals A NBR V FPM E EPDM	
Element Δp N 20 bar	
	Execution P01 MP Filtri standard Pxx Customized

CLOGGING INDICATORS	
DEA	Electrical differential indicator
DEM	Electrical differential indicator
DLA	Electrical / visual differential indicator
DLE	Electrical / visual differential indicator
DTA	Electrical differential indicator
DVA	Visual differential indicator
DVM	Visual differential indicator
T2	Plug

14. Troubleshooting

14.1 MISUSE OF THE PRODUCT

This product should be connected to a hydraulic line; this must not exceed upper pressure limit of the product. This product should follow all standard operating procedures previously set at the operating location as well as the procedures required by the manufacturer.

Over-tighten of test points/hoses can damage threads causing the unit to fail.
The product is designed with no components in motion.

14.2 CLOGGING INDICATOR ALARM

In normal functioning of the system, the clogging of the filter by contaminants will result in a gradual increase in the pressure drop through the filter.

The filter element should be replaced before it is completely clogged and anyways before the pressure exceeds the setting value of the bypass valve. For this reason, we recommended using a clogging indicator (visual or electrical), that advises the appropriate timing for replacing the cartridge.

Should the clogging indicator be in alarm mode, it means that the pressure has already exceeded the guard threshold, and the cartridge has to be replaced.

14.3 LEAKS OF WORKING FLUID

Leaks from the connections with normal tightening may indicate seal damage during the warehousing process, fluid incompatibility, or unsuitable work conditions.

All data, details and words contained in this publication are provided for use by technically qualified personnel at their discretion, without warranty of any kind.

MP Filtri reserves the right to make modifications to the models and versions of the described products at any time for both technical and/or commercial reasons.

For updated information please visit our website: www.mpfiltri.com

The colors and the pictures of the products are purely indicative.

Any reproduction, partial or total, of this document is strictly forbidden.

All rights are strictly reserved

WORLDWIDE NETWORK

CANADA ♦ CHINA ♦ FRANCE ♦ GERMANY ♦ INDIA ♦ SINGAPORE
UNITED ARAB EMIRATES ♦ UNITED KINGDOM ♦ USA



PASSION  PERFORM

in @ y f



mpfiltri.com
Scan or click me!