

ACCESSORIES

**POWER
TRANSMISSION**

CATALOGUE



PASSION TO PERFORM



A WORLDWIDE LEADER IN THE FIELD OF HYDRAULIC FILTRATION EQUIPMENT.

Our company started life in 1964, when Bruno Pasotto decided to attempt to cater for the requests of a market still to be fully explored, with the study, design, development, production and marketing of a vast range of filters for hydraulic equipment, capable of satisfying the needs of manufacturers in all sectors. The quality of our products, our extreme competitiveness compared with major international producers and our constant activities of research, design and development has made us a worldwide leader in the field of hydraulic circuit filtering. Present for over 50 years in the market, we have played a truly decisive role in defining our sector, and by now we are a group capable of controlling our entire chain of production, monitoring all manufacturing processes to guarantee superior quality standards and to provide concrete solutions for the rapidly evolving needs of customers and the market.

POWER TRANSMISSION PRODUCTS

1	page	INTRODUCTION
4		COMPANY
8		PRODUCT RANGE
10		BELL-HOUSINGS & COUPLINGS SIZING
12		SELECTION SOFTWARE
14	page	COUPLINGS
16		General Information
21	SGEG - SGEA - SGES - SGEK - EGE	Flexible half-coupling in aluminium, cast iron and steel
39	AKG	IEC electric motor range from size 63 up to size 225
47	SGDR - EGR	Curved-tooth steel gear coupling
53	SGES - EGE	Components for e-PTO systems
56	page	BELL-HOUSINGS
58		General Information
63	LMG	Bell-housing with rectangular flange
75	LMC - LDC	Bell-housing for piston, screw and vane pumps
83	LMS - LDS	Bell-housing - Low Noise
91	MULTI-COMPONENTS	Bell-housing - Multi-components 2 - 3
113	LME	Range for endothermic motors from 3 to 13.5 Hp
122	page	ACCESSORIES
124	ANM A	Damping rings
126	PDM A	Foot brackets
127	MPDR PDMA - MPDR	Damping rods
128	OB	Cleaning covers
133	SE10	Aluminium tanks

MARKET LEADER



Our work is based on a skillful interaction between advanced technology and fine workmanship, **customizing products according to specific market requests**, focusing strongly on innovation and quality, and following every step in the manufacturing of both standard and special products, fully respecting customer expectations.



Our customer-oriented philosophy, which enables us to satisfy all customer requests **rapidly and with personalized products**, makes us a **dynamic and flexible enterprise**. The possibility of constantly controlling and monitoring the entire production process is essential to allow us to guarantee the quality of our products.

WORLDWIDE PRESENCE

Our foreign Branches enable us to offer a diversified range of products that allow us to successfully face the aggressive challenge of international competition, and also to maintain a stable presence at a local level.

The Group boasts **9** business branches



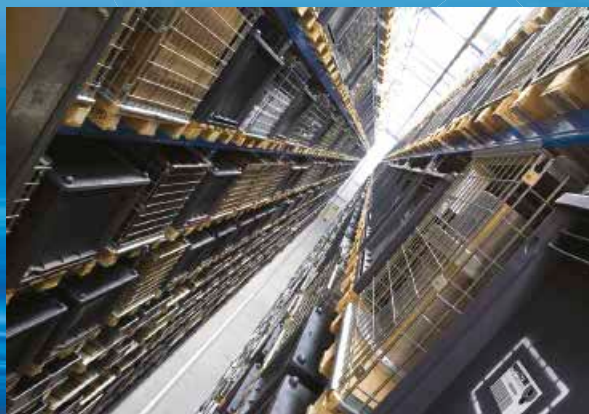
TECHNOLOGY

Our constant **quest for excellence in quality and technological innovation** allows us to offer only the best solutions and services for applications in many fields, including general industry, test rigs, lubrication, heavy engineering, renewable energies, naval engineering, offshore engineering, aviation systems, emerging technologies and mobile plant (i.e. tractors, excavators, concrete pumps, platforms).



AND PRODUCTION

Our high level of technological expertise means **we can rely entirely on our own resources, without resorting to external providers.** This in turn enables us to satisfy a growing number of customer requests, also exploiting our constantly updated range of machines and equipment, featuring **fully-automated workstations** capable of **24-hour production.**





SUCTION FILTERS

Flow rates
up to 875 l/min

- Mounting:
- Tank immersed
 - In-Line
 - In tank with shut off valve
 - In tank with flooded suction

RETURN FILTERS

Flow rates
up to 3000 l/min

- Pressure
up to 20 bar
- Mounting:
- In-Line
 - Tank top
 - In single and duplex designs

RETURN / SUCTION FILTERS

Flow rates
up to 300 l/min

- Pressure
up to 80 bar
- Mounting:
- In-Line
 - Tank top

SPIN-ON FILTERS

Flow rates
up to 365 l/min

- Pressure
up to 35 bar
- Mounting:
- In-Line
 - Tank top

LOW & MEDIUM PRESSURE FILTERS

Flow rates
up to 3000 l/min

- Pressure
up to 80 bar
- Mounting:
- In-Line
 - Parallel manifold version
 - In single and duplex designs

HIGH PRESSURE FILTERS

Flow rates
up to 750 l/min

- Pressure from 110 bar
up to 560 bar
- Mounting:
- In-Line
 - Manifold
 - In single and duplex designs

PRODUCT RANGE

MP Filtri can offer a vast and articulated range of products for the global market, suitable for all industrial sectors using hydraulic equipment.

This includes filters (suction, return, return/suction, spin-on, pressure, stainless steel pressure, ATEX filters) and structural components (motor/pump bell-housings, transmission couplings, damping rings, foot brackets, aluminium tanks, cleaning covers).

We can provide all the skills and solutions required by the modern hydraulics industry to monitor contamination levels and other fluid conditions.

Mobile filtration units and a full range of accessories allow us to supply everything necessary for a complete service in the hydraulic circuits.



STAINLESS STEEL HIGH PRESSURE FILTERS

Flow rates up to 150 l/min

Pressure from 320 bar up to 1000 bar

Mounting:
 - In-Line
 - Manifold
 - In single and duplex designs

FILTERS FOR POTENTIALLY EXPLOSIVE ATMOSPHERE

Flow rates up to 154 l/min

Pressure from 420 bar up to 1000 bar

Mounting:
 - In-Line

CONTAMINATION CONTROL SOLUTIONS

- Off-line, in-line particle counters
- Off-line bottle sampling products
- Fully calibrated using relevant ISO standards
- A wide range of variants to support fluid types and communication protocols
- Mobile Filtration Units with flow rates from 15 l/min up to 200 l/min

POWER TRANSMISSION PRODUCTS

- Aluminium bell-housings for motors from 0.12 kW to 400 kW
- Couplings in Aluminium Cast Iron - Steel
- Damping rings
- Foot bracket
- Aluminium tanks
- Cleaning covers

TANK ACCESSORIES

- Oil filler and air breather plugs
- Optical and electrical level gauges
- Pressure gauge valve selectors
- Pipe fixing brackets
- Pressure gauges

The range of products is completed by a number of accessories, including:

DAMPING RINGS, intended mainly for use with motor-pump units positioned vertically and with the pump submerged in the oil tank.

FOOT BRACKETS, which serve to support the motor pump unit in the event that the selected electric motor does not have mounting feet.

DAMPING RODS, to be mounted under the electric motor feet or under the foot brackets.

CLEANING COVERS, facilitating the maintenance of oil tanks in hydraulic power units, without necessarily having to dismantle the unit.

ALUMINIUM TANKS of 10 litres capacity, allowing the assembly of a compact hydraulic power unit.

Accessories



ANM A	Damping rings	page 124
PDM A	Foot brackets	126
MPDR PDMA - MPDR	Damping rods	127
OB	Cleaning covers	128
SE10	Aluminium tanks	133

Technical data

Positioned between the bell-housing motor flange and lid of the tank, they help to reduce the transmission of the vibrations and emission of noise generated by the system.

Damping rings provide a perfect hydraulic sealing actions by virtue of their special profile; damping rings are available for IEC electric motors from size 80 to size 315.

Compatibility with fluids

- Mineral oils types HH-HL-HM-HR-HV, to ISO 6743/4 standard
- Water based emulsions types HFAE-HFAS, to ISO 6743/4 standard

Materials

Internal ring: pressure die-cast aluminium alloy
External body: NBR 75 Shore A

Temperature

From -30 °C to +80 °C

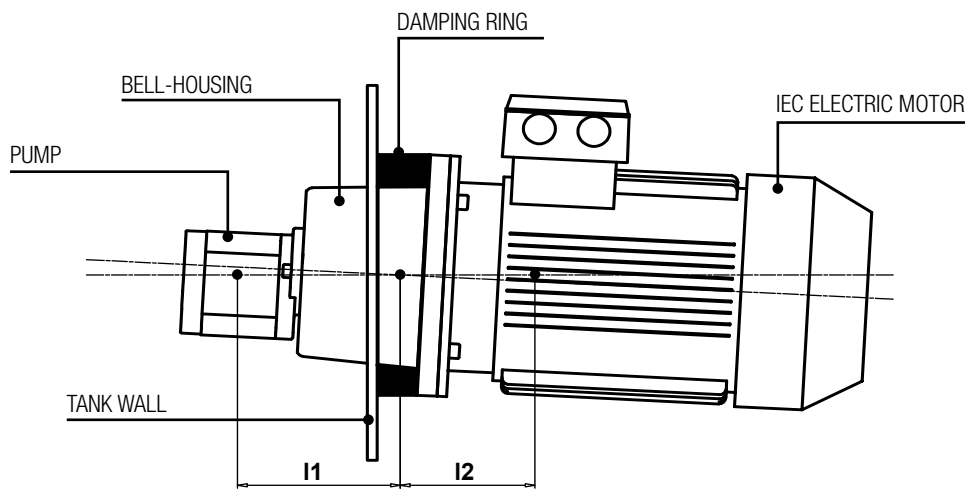
Special Applications

Any applications not covered by the normal indications contained in this catalogue must be evaluated and approved by MP Filtri Technical and Sales Department

Example of assembly

In order to warranty the application, to proceed with the calculation of the max weight and moment with the following formulas.

Values higher than those in the table could damage the product and couldn't warranty the conformity of the application!



$$F_{perm} \geq F_p + F_m$$

$$M_b perm \geq F_m \times l_1 - F_p \times l_2$$

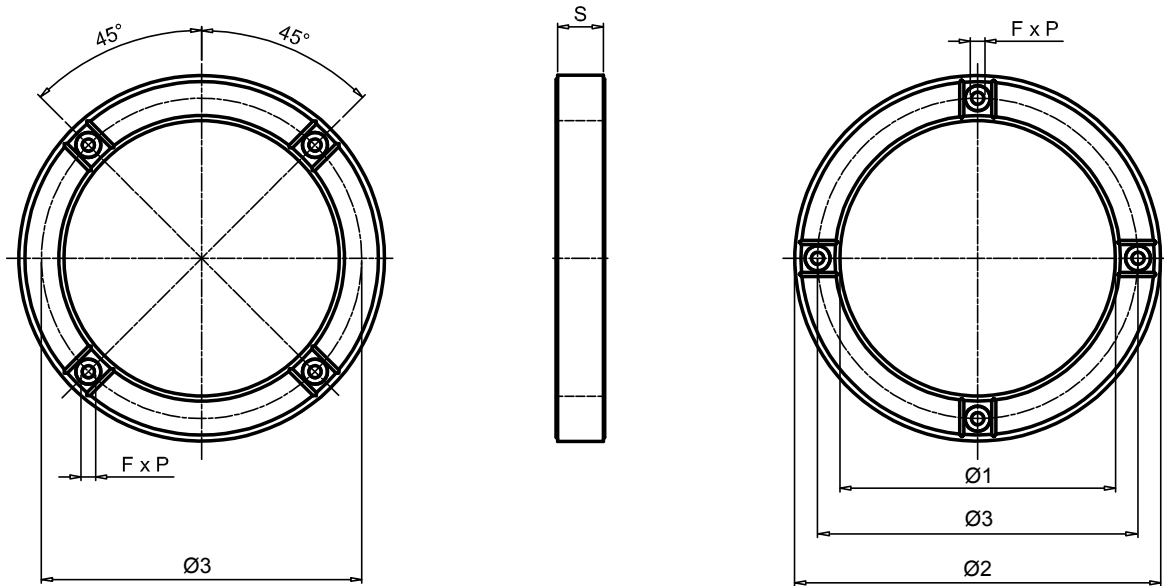
Permissible radial weight and bending load for damping rings

Code	F perm [N]	Mb perm [N·m]
ANM A 200	370	30
ANM A 250	720	65
ANM A 300	1450	175
ANM A 350	3600	740
ANM A 400	4800	1100
ANM A 450	6600	1600
ANM A 550	13000	4400
ANM A 660	24000	9000

Legend of symbol

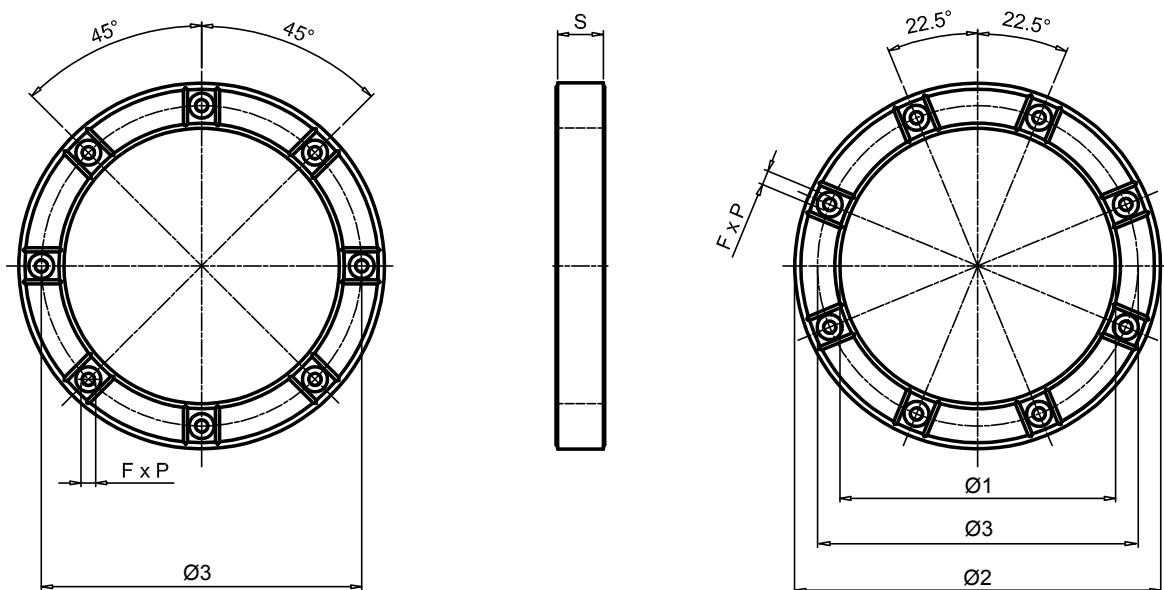
- F perm** = ammissible load (N)
- Fp** = pumps weight (N)
- Fm** = motor weight (N)
- Mb perm** = bending load (N·m)

ANM A 200 ÷ 400



Code	IEC - Electric motors	Dimensions [mm]					Nr. F	Screw tightening torque [N·m]	Weight [kg]
		Ø1	Ø2	Ø3	S	F x P			
ANM A 200	80, 90S / 90L	144	200	165	40	M10x16	4+4	23	1.70
ANM A 250	100L / 112M	191	250	215	45	M12x16		40	2.53
ANM A 300	132S / 132M	238	300	265	50	M12x16		40	2.15
ANM A 350	160L/160M, 180L/180M	260	350	300	58	M16x20		100	3.95
ANM A 400	200L	301	400	350	50	M16x25		100	4.60

ANM A 450 ÷ 660



Code	IEC - Electric motors	Dimensions [mm]					Nr. F	Screw tightening torque [N·m]	Weight [kg]
		Ø1	Ø2	Ø3	S	F x P			
ANM A 450	225S / 225M	352	450	400	60	M16x25	8+8	100	6.20
ANM A 550	250M, 280M / 280S	452	550	500	60	M16x25		210	7.76
ANM A 660	315M / 315S	552	660	600	67	M20x25		410	11.25

Technical data

The foot brackets are proportioned to support IEC Electric motors with B5 flange without feet.

The range is available from size 71 to size 180.

Compatibility with fluids

- Mineral oils types HH-HL-HM-HR-HV, to ISO 6743/4 standard
- Water based emulsions types HFAE-HFAS, to ISO 6743/4 standard
- Water glycol type HFC, to ISO 6743/4 standard: ask for anodized version

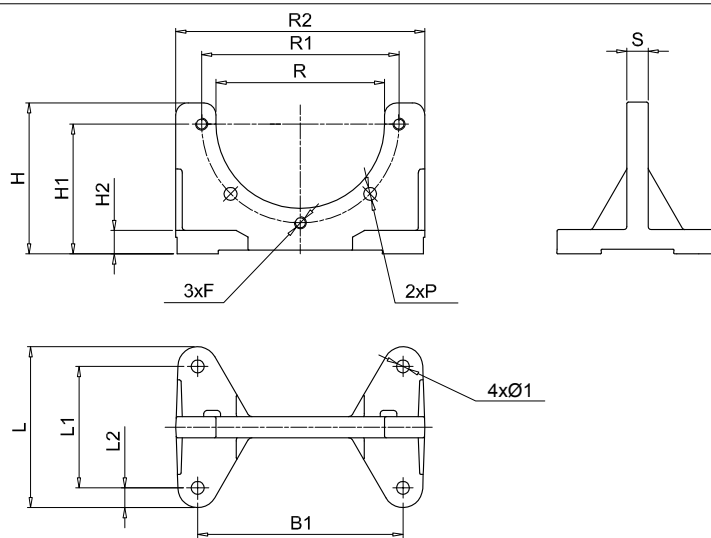
Materials

Foot bracket: pressure die-cast aluminium alloy

Temperature

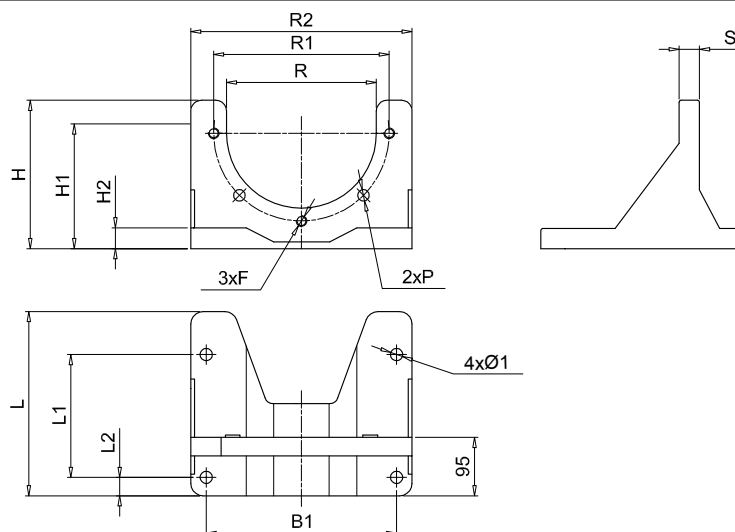
From -30 °C to +80 °C

Dimensions



Dimensions [mm]

Foot bracket	B	B1	R2	L	L1	L2	H	H1	H2	R	R1	S	P	Ø1	F	Weight [kg]
PDM A 160	160	135	180	106	80	13	100	86	16	111	130	14	8.5	8.5	M8	0.45
PDM A 200	200	175	207	128	98	21	128	115	14	146	165	14	11.0	11.5	M10	0.60
PDM A 250	250	220	262	172	130	21	157	145	18	191	215	16	13.0	13.5	M12	1.20
PDM A 300	300	270	320	210	160	25	188	170	18	235	265	20	13.0	13.5	M12	1.80



Dimensions [mm]

Foot bracket	B	B1	R2	L	L1	L2	H	H1	H2	R	R1	S	P	Ø1	F	Weight [kg]
PDM A 350	350	310	360	300	200	30	220	200	30	261	300	30	18	13	M16	4.80

Damping rods are element to reduce the transmission of the vibrations and emission of noise generated of the system.

Damping rods are available for IEC Electric motors from size 71 to size 315L and for MP FILTRI foot bracket

Compatibility with fluids

- Mineral oils types HH-HL-HM-HR-HV, to ISO 6743/4 standard
- Water based emulsions types HFAE-HFAS, to ISO 6743/4 standard

Materials

Plate: steel black colour
Damping element: NBR 60 Shore A

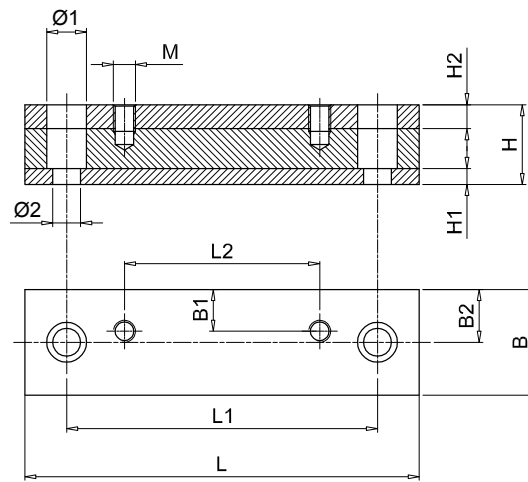
Temperature

From -20 °C to +80 °C

Special Applications

Any applications not covered by the normal indications contained in this catalogue must be evaluated and approved by the MP Filtri Technical and Sales Department

Dimensions



Damping rods for foot brackets PDMA series.

For foot brackets see page 116

Code	Dimensions [mm]											Weight [kg]	
	L	L1	L2	B	B1	B2	H	H1	H2	Ø1	Ø2		M
MPDR PDMA160P	196	156	80	50	21	25	40	8	12	20	14	M8	1.5
MPDR PDMA200P	196	156	98	50	21	25	40	8	12	20	14	M10	1.5
MPDR PDMA250P	240	205	130	50	24	25	40	8	12	20	14	M12	2.0
MPDR PDMA300P	280	245	160	50	20	25	45	8	12	20	14	M12	2.5
MPDR PDMA350P	446	400	200	70	35	35	60	15	15	26	18	M12	8.0

Damping rods for electrical motors UNEL-MEC

Code	Dimensions [mm]											Weight [kg]	
	L	L1	L2	B	B1	B2	H	H1	H2	Ø1	Ø2		M
MPDR 71P	196	156	90	50	21	25	40	8	12	20	14	M6	1.5
MPDR 80P	176	146	100	50	22	25	40	8	12	20	14	M8	1.7
MPDR 90SP	196	156	100	50	24.5	25	40	8	12	20	14	M8	1.7
MPDR 90LP	240	205	125	50	24	25	40	8	12	20	14	M8	2.0
MPDR 100LP	240	205	140	50	22	25	40	8	12	20	14	M10	2.0
MPDR 132SP	280	245	140	50	20	25	45	8	12	20	14	M10	2.5
MPDR 132MP	280	245	178	50	20	25	45	8	12	20	14	M10	2.5
MPDR 160MP	340	300	210	70	28	35	60	15	15	26	18	M12	6.0
MPDR 160LP	416	370	254	70	28	35	60	15	15	26	18	M12	7.5
MPDR 180MP	416	370	241	70	35	35	60	15	15	26	18	M12	7.5
MPDR 180LP	446	400	279	70	35	35	60	15	15	26	18	M12	8.0
MPDR 200LP	492	430	305	70	35	35	60	15	15	33	22	M16	8.9
MPDR 225SP	492	430	286	70	35	35	60	15	15	33	22	M16	8.9
MPDR 225MP	492	445	311	70	35	35	60	15	15	33	22	M16	8.9
MPDR 250MP	492	445	349	100	50	50	60	15	15	33	22	M20	12.5
MPDR 280SP	614	570	368	100	50	50	60	15	15	33	22	M20	15.1
MPDR 280MP	614	570	419	100	50	50	60	15	15	33	22	M20	15.1
MPDR 315SP	614	570	406	120	60	60	60	15	15	33	22	M24	26.5
MPDR 315MP	614	570	457	120	60	60	60	15	15	33	22	M24	26.5
MPDR 315LP	704	660	508	120	60	60	60	15	15	33	22	M24	29.2

Technical data

These pressure die-cast aluminium alloy doors offer superior mechanical strength and are manufactured to DIN 24339 standard. They provide easy access to the inside of the oil tank for inspection and cleaning purposes.

On request and for small quantities, to be agreed with MP Filtri Technical and Sales Department, inspection doors can be supplied with:

- Customer logo.
- Hole cut for visual level indicator.
- Hole cut for visual and electrical level indicator.
- Oil sample plug

Compatibility with fluids

- Mineral oils types HH-HL-HM-HR-HV, to ISO 6743/4 standard
- Water based emulsions types HFAE-HFAS, to ISO 6743/4 standard
- Water glycol type HFC, to ISO 6743/4 standard: ask for anodized version

Materials

Cleaning covers: pressure die-cast aluminium alloy

Seal: NBR 70 Shore A

Temperature

From -30 °C to +80 °C

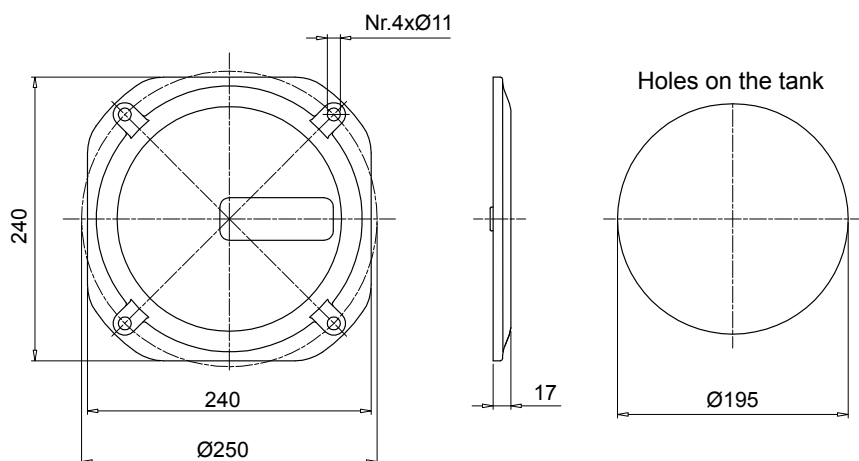
Special Applications

Any applications not covered by the normal indications contained in this catalogue must be evaluated and approved by MP Filtri Technical and Sales Department

Dimensions

Cleaning cover according to DIN 24339

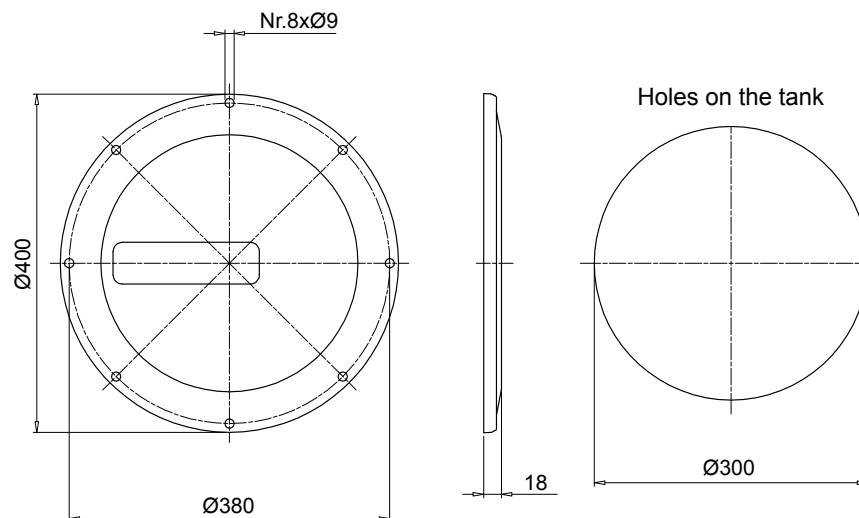
OB275



Code	Description	Seal	Weight [kg]
OB275P01GN	Door with MP Logo	NBR	2.06
OB275P02GN	Blank cover	NBR	2.06
OB275P01GV	Door with MP Logo	FPM	2.06
OB275P02GV	Blank cover	FPM	2.06

Code	Description	Weight [kg]
OB275P01	Door with MP Logo	1.76
OB275P02	Blank cover	1.76
GU0275NBR	Seal	1.76
GU0275VTN	Seal	1.76

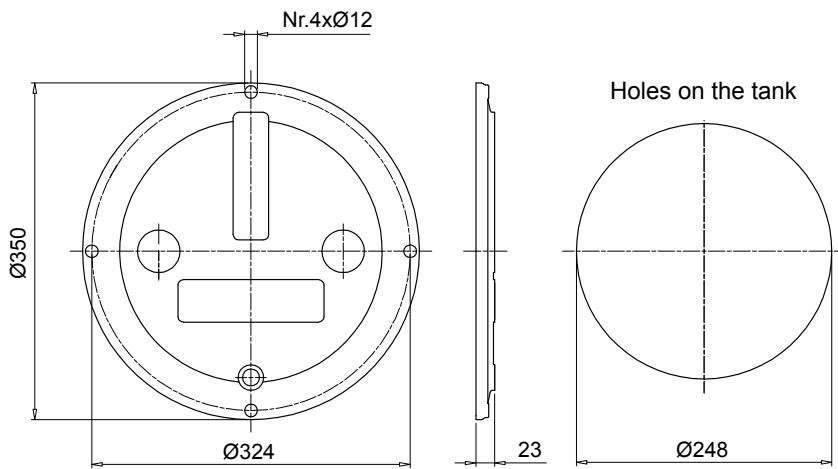
OB400



Code	Description	Seal	Weight [kg]
OB400P01GN	Door with MP Logo	NBR	3.20
OB400P02GN	Blank cover	NBR	3.20
OB400P01GV	Door with MP Logo	FPM	3.20
OB400P02GV	Blank cover	FPM	3.20

Code	Description	Weight [kg]
OB400P01	Door with MP Logo	2.90
OB400P02	Blank cover	2.90
GU0400NBR	Seal	2.90
GU0400VTN	Seal	2.90

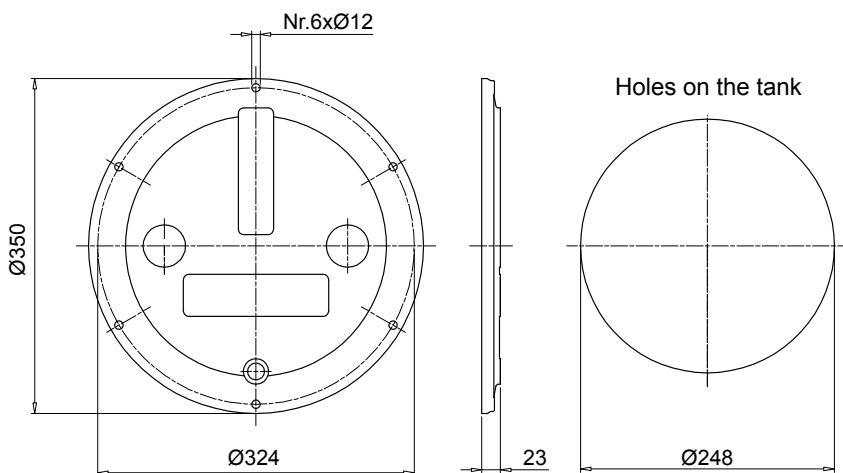
OB350



Code	Description	Seal	Weight [kg]
OB350P01GN	Door with MP Logo	NBR	2.10
OB350P02GN	Blank cover	NBR	2.10
OB350P01GV	Door with MP Logo	FPM	2.10
OB350P02GV	Blank cover	FPM	2.10

Code	Description	Weight [kg]
OB350DIN000	Door	1.80
GU0350DINNBR	Seal	1.80
GU0350DINVTN	Seal	1.80

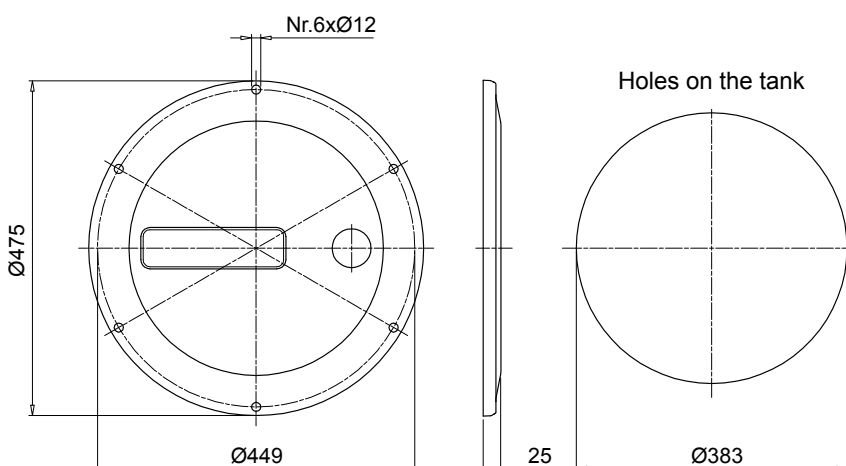
OB356



Code	Description	Seal	Weight [kg]
OB356P01GN	Door with MP Logo	NBR	2.10
OB356P02GN	Blank cover	NBR	2.10
OB356P01GV	Door with MP Logo	FPM	2.10
OB356P02GV	Blank cover	FPM	2.10

Code	Description	Weight [kg]
OB356DIN000	Door	1.80
GU0350DINNBR	Seal	1.80
GU0350DINVTN	Seal	1.80

OB475



Code	Description	Seal	Weight [kg]
OB475P01GN	Door with MP Logo	NBR	3.70
OB475P02GN	Blank cover	NBR	3.70
OB475P01GV	Door with MP Logo	FPM	3.70
OB475P02GV	Blank cover	FPM	3.70

Code	Description	Weight [kg]
OB475P01	Door with MP Logo	3.40
OB475P02	Blank cover	3.40
GU0475DINNBR	Seal	3.40
GU0475DINVTN	Seal	3.40

Oil level indicator **LVA** series - vertical shape

Technical data

Materials

Transparent amorphous polyamide lens
 Polyamide guard
 Seals: NBR - FPM

Operating pressure

Max 1 bar at +80°C

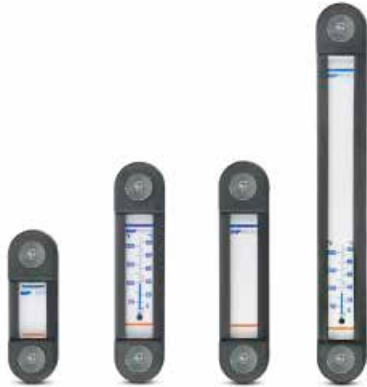
Operating temperature

From -25 °C to +80 °C

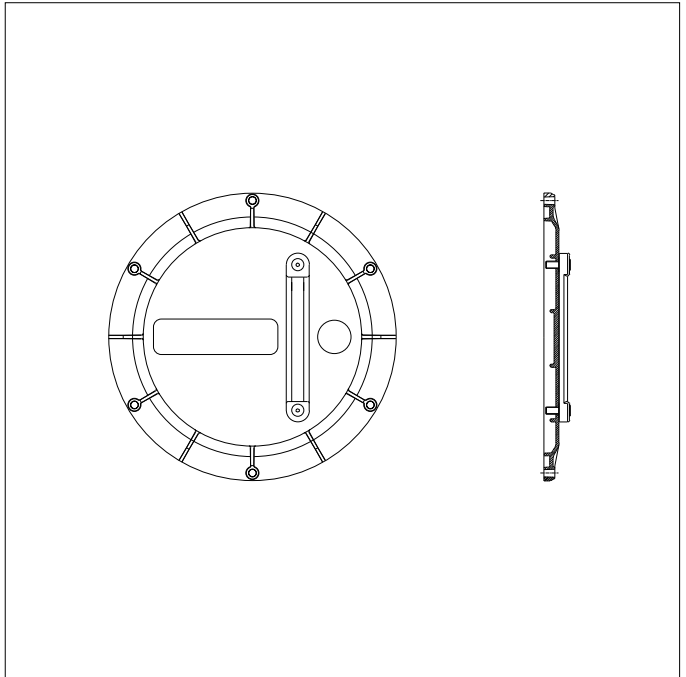
Tightening torque

10 N·m max.

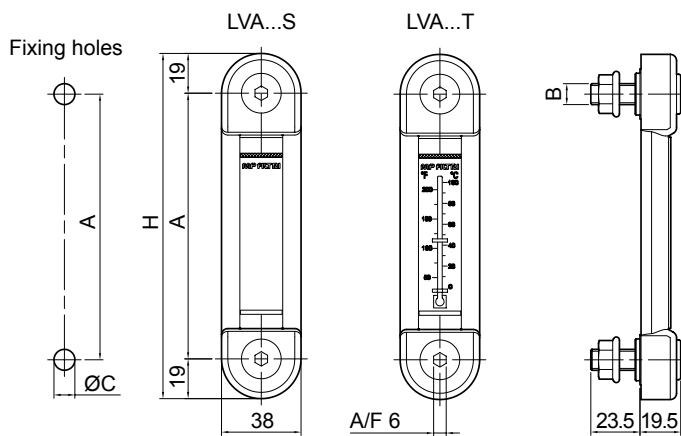
Mineral oils
 Synthetic oils
 Water base emulsions
 Phosphoric esters



Installation



Dimensions



Size	A [mm]	H [mm]
LVA 10	76	114
LVA 20	127	165
LVA 30	254	292

Type	B [mm]	ØC [mm]
LVA...M10	M10	10.5
LVA...M12	M12	12.5
LVA...U38	3/8" UNC	10.0
LVA...U12	1/2" UNC	13.5

Packaging

Type	Nr. pieces per pack
LVA	10

Preparing for to fit the level on request

Indicator code	OB275**	OB350**	OB356**	OB400**	OB475**
LVA 10**	•	•	•	•	•
LVA 20**		•	•	•	•
LVA 30**				•	•

Electrical oil level indicators **LEG** series

Technical data

LEG series electrical oil level indicators are supplied with a 3-hole fixing flange and a reed switch having NC-NO contacts.

Designed typically for installation on the vertical walls of oil tanks, these instruments can also be mounted to inspection doors of the OB475 series as indicators of minimum and maximum oil levels in the tank.

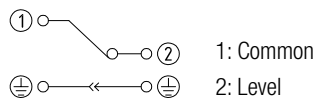
Warning

To operate correctly, the float must be positioned vertically and at a minimum distance of 35 mm from walls made of ferrous metal.

To change the contact from NC to NO, simply turn the float upside down.

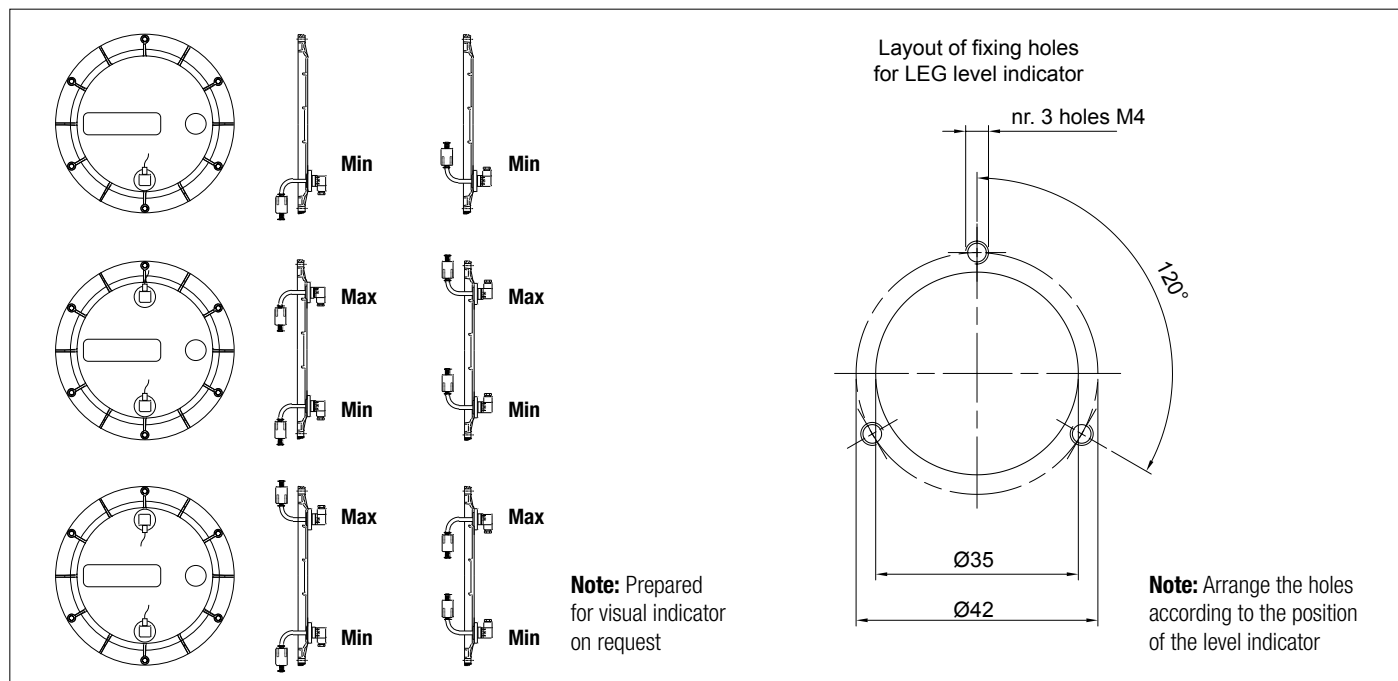
The electrical properties indicated are referred to resistive loads; for capacitive and inductive loads and incandescent lamps, use protection circuits.

Electrical symbol:

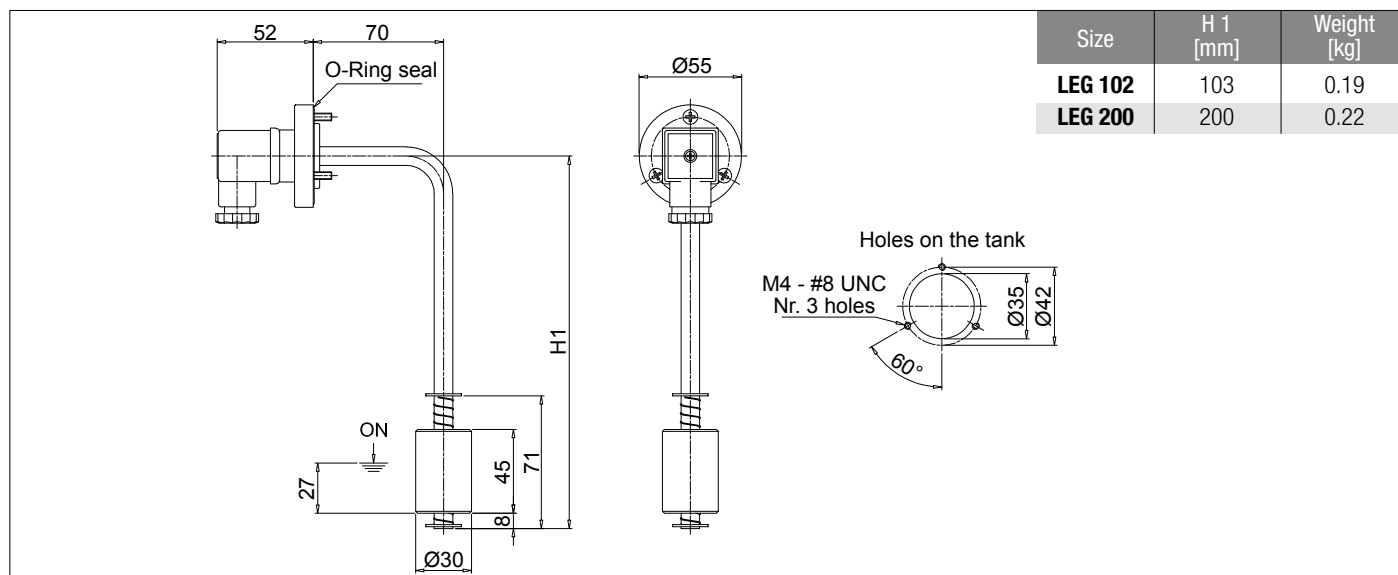


Note: to invert the contact status from NC to NO and vice versa, simply invert the float.

Installation

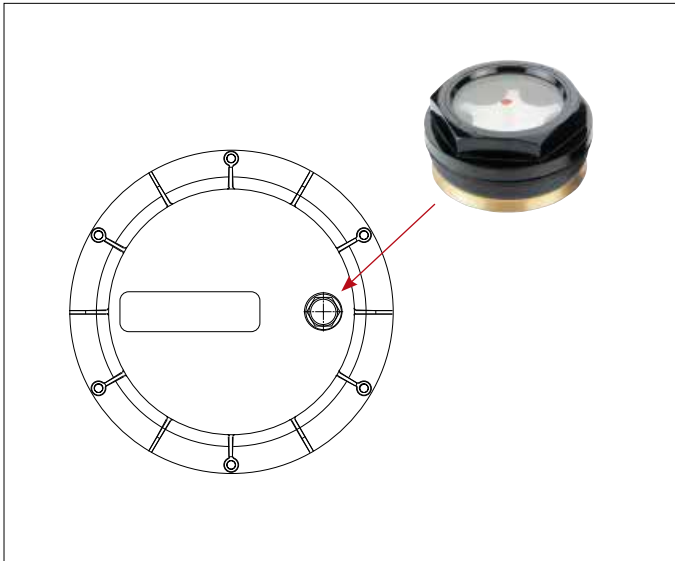


Dimensions

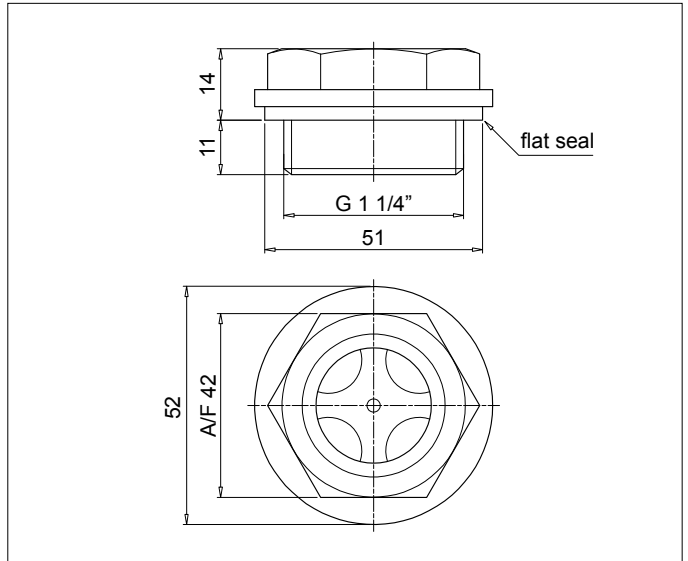


Visual level indicators code **LCPG42N...S**

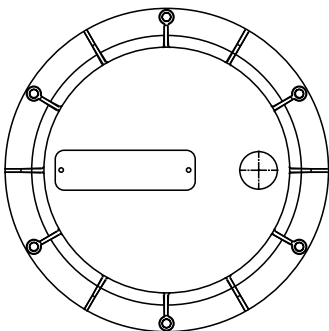
Installation



Dimensions



Available customization



Nameplate with customer logo
Ordering information: **OB475LOGOP05**

The nameplates applied to the new inspection door are identical to those applied to the old door. The difference with the new door is that nameplates are fixed with rivets.

For ordering information codes, minimum order quantities, fixing hole positions and other details not indicated in this publication, contact MP Filtri Technical and Sales Department.

Technical data

Made of pressure die-cast aluminium alloy, these tanks feature superior strength and optimum design and are ideal for compact hydraulic power units.

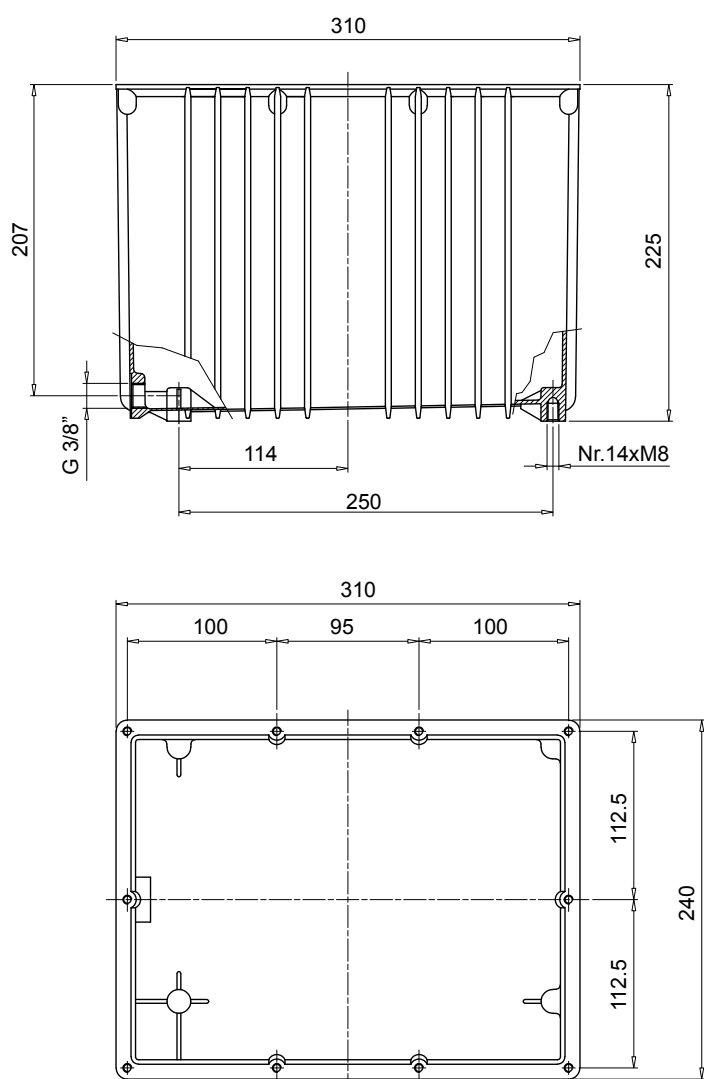
Generously proportioned fins ensure efficient cooling.

The tank is supplied with:

- M6 threaded fixing holes for lid
- feet with M8 threaded fixing holes
- G 3/8" threaded drain hole

The lid is sealed by a gasket made of special paper, which must be ordered separately indicating code "GUS 10.0".

Dimensions



Code	Weight [kg]
SE10LT	4.0

All data, details and words contained in this publication are provided for use by technically qualified personnel at their discretion, without warranty of any kind.

MP Filtri reserves the right to make modifications to the models and versions of the described products at any time for both technical and/or commercial reasons.

For updated information please visit our website: www.mpfiltri.com

The colors and the pictures of the products are purely indicative.

Any reproduction, partial or total, of this document is strictly forbidden.

All rights are strictly reserved

WORLDWIDE NETWORK

CANADA ♦ CHINA ♦ FRANCE ♦ GERMANY ♦ INDIA ♦ SINGAPORE
UNITED ARAB EMIRATES ♦ UNITED KINGDOM ♦ USA



PASSION  PERFORM

in   



mpfiltri.com

MP Filtri reserves the right to make modifications to the models and versions of the described products at any time for both technical and/or commercial reasons. For updated information please visit our website: www.mpfiltri.com. The colors and the pictures of the products are purely indicative. Any reproduction, partial or total, of this document is strictly forbidden. All rights are strictly reserved.

MF001000022
EN - 2024.10